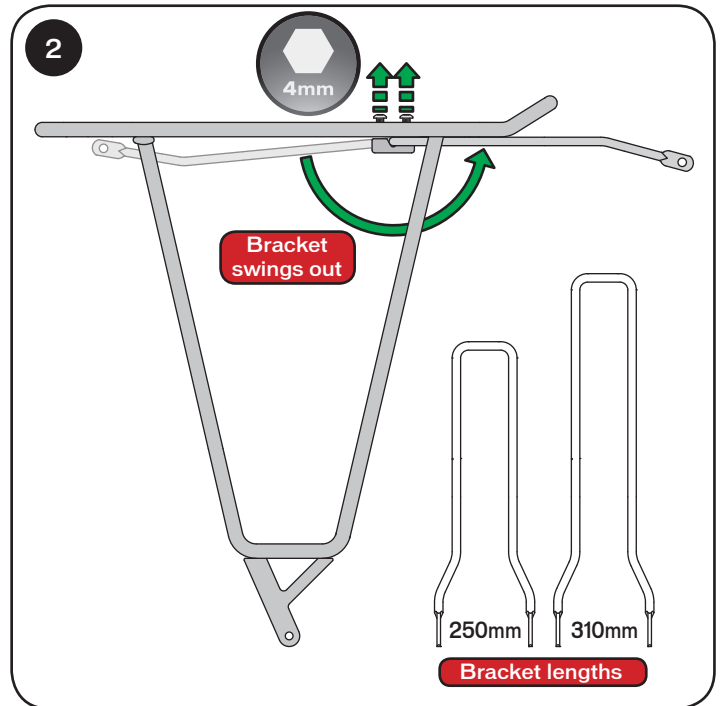
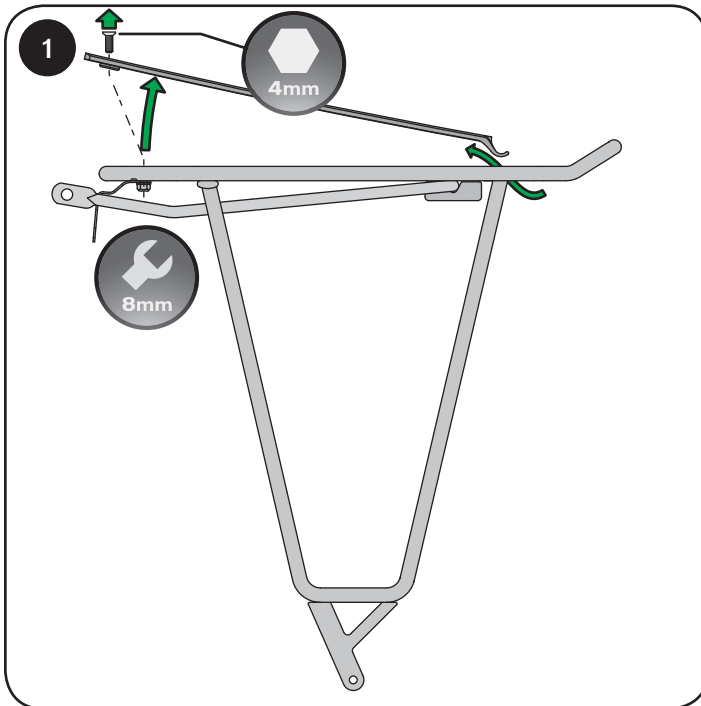


# INSTRUCTION GUIDE

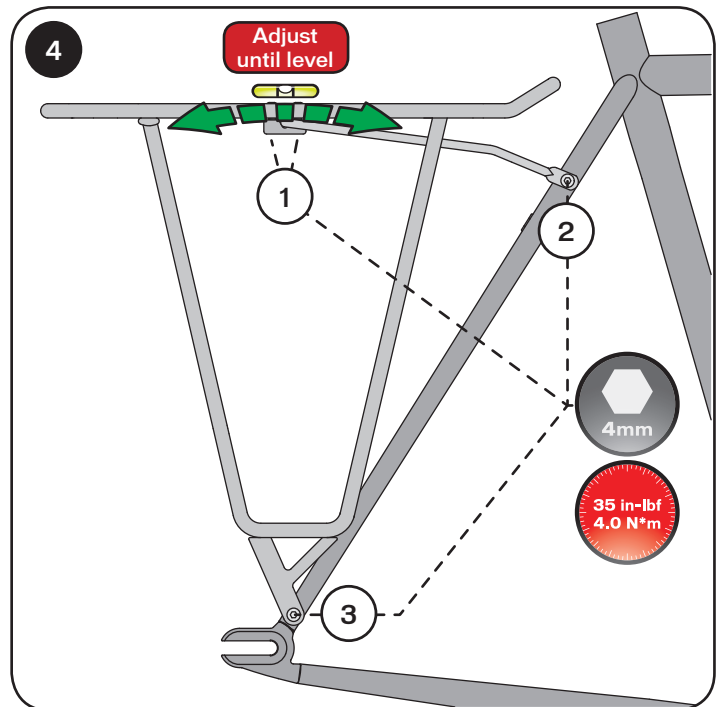
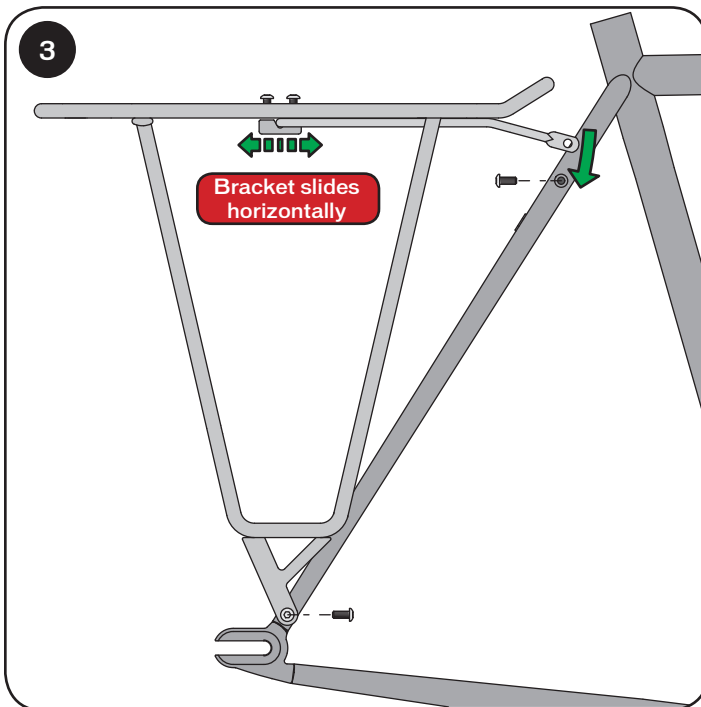
## SPECIALIZED REAR RACK INSTALLATION



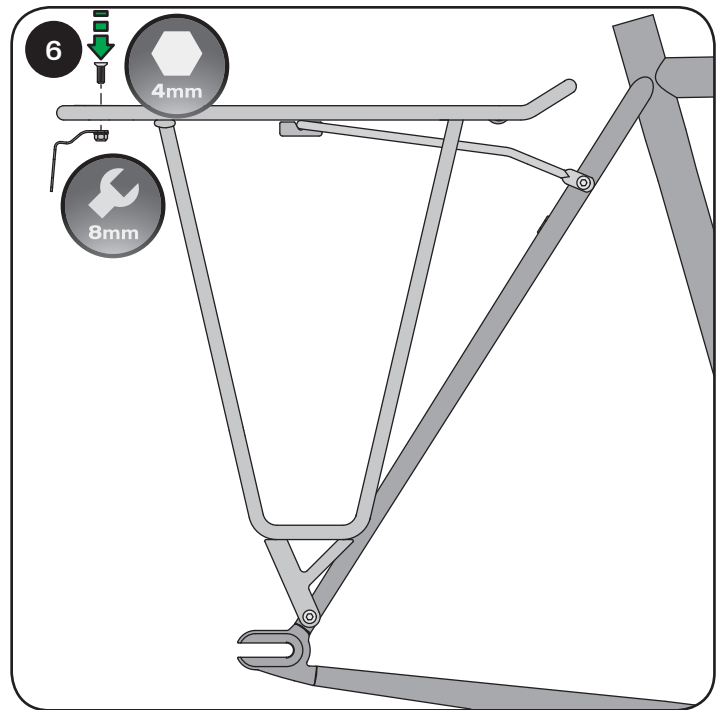
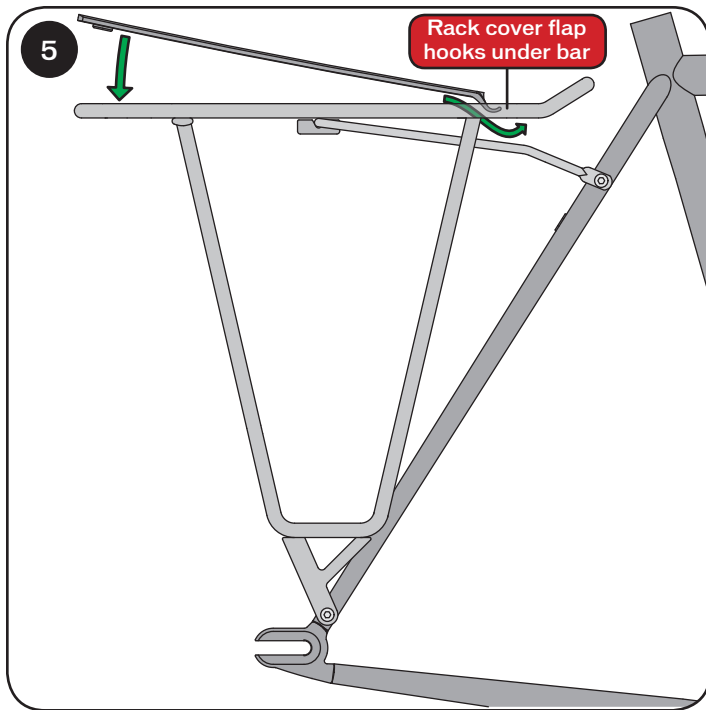
THIS BRIEF INSTRUCTION GUIDE CONTAINS IMPORTANT INFORMATION.  
PLEASE READ CAREFULLY AND STORE IN A SAFE PLACE.



- Fig.1: Unscrew the top deck bolt and remove the deck.
- Fig.2: Loosen the two seatstay bracket bolts and rotate the bracket toward the frame (two bracket length options).



- Fig.3: Mount the lower portion of the rack to the dropouts (2 x M5x20mm bolts, 4mm Allen key). Do not tighten.
- Fig.3: Bolt the seatstay bracket to the seatstay (2 x M5x20mm bolts, 4mm Allen key). Do not tighten.
- Fig.4: Adjust the tilt of the rack until level.
- If the rack can't be placed level, replace the bracket with the 2nd bracket option (fig.2), then repeat the steps to place the rack at a level position.
- Fig.4: Once level, tighten the two seatstay bracket bolts at the rack (1) then at the seatstay (2). Finally, tighten the dropout mounting bolts (3).



- Install the top deck.

OPTIONAL: Position the rear reflector bracket under the rack (fig.6), with the reflector bracket hole in line with the hole at the back of the rack. Generic rear reflectors are available at most Specialized authorized dealers.

- Tighten the upper deck bolt (4mm Allen key, 8mm wrench).